



UNIVERSAL DRAIN COVER

CONCRETE, VINYL & EQUALIZER POOLS

SDX RETRO HIGH FLOW SAFETY DRAIN

SUBMERGED SUCTION OUTLET

FOR SINGLE OR MULTIPLE DRAIN USE

FOR USE ON WALL OR FLOOR

INSTALLATION MANUAL



MDX® & SDX DRAINS ARE
COMPLIANT WITH THE VIRGINIA
GRAEME BAKER ACT 2006.

WARNING: SDX and SDX Retro must be installed in accordance with Paramount's written instruction manual, and in conformity with applicable Federal, State, Local and Swimming pool industry building and safety codes.

Notice to Installers:

Read and follow these instructions. Give these instructions to the facility owner to keep for future reference. Follow all codes and regulations that apply to the design, installation and use of suction outlet fittings.

004-027-8746-00

REV101711

295 East Corporate Place • Suite 100 • Chandler, AZ 85225

Toll Free: 1.800.621.5886 • Phone: 480.893.7607 • Fax: 480.753.3397

Paramount@1Paramount.com • www.1Paramount.com


Paramount
Pool Life. Simplified.

IMPORTANT NOTICES: PLEASE READ



WARNING

KNOWN DROWNING HAZARD.

DO NOT GO NEAR THE SUCTION FITTINGS OR DRAINS OF YOUR POOL OR SPA. YOUR HAIR OR BODY

MAY BECOME TRAPPED CAUSING PERMANENT INJURY OR DROWNING.

DO NOT ENTER THE POOL OR SPA IF SUCTION FITTINGS OR DRAIN COVERS ARE LOOSE, BROKEN, OR MISSING. INSPECT SUCTION FITTING INCLUDING FASTENERS FOR DAMAGE OR TAMPERING BEFORE EACH USE OF THIS FACILITY.



WARNING

RISK OF SEVERE INJURY OR DROWNING IF SUCTION SYSTEMS ARE NOT INSTALLED PROPERLY!



NOTICE TO OWNER:

READ, FOLLOW, AND KEEP THESE SAFETY INSTRUCTIONS FOR FUTURE REFERENCE.

While suction injuries are extremely rare, drowning and diving injuries are far too common and there is little your certified builder can do to eliminate these hazards. You must educate yourself and your guests. Below are some important safety issues every swimmer must know and recognize.

- PREVENT DROWNING: Watch children at all times, no swimming alone.
- NO DIVING IN SHALLOW WATER: You can be permanently injured.
- PREVENT SUCTION ENTRAPMENT: Inspect suction covers before swimming, keep swimmers away from suction fittings, protect long hair, don't swim with loose clothing or large and dangling jewelry.

HOW SDX RETRO WORKS BETTER

The SDX RETRO high flow drain system is a dual-drain system designed and tested to safely deliver water to modern high flow pumps.

EACH DRAIN ADDRESSES ALL ENTRAPMENT HAZARDS

Hair Entrapment Avoidance. At the heart of the Patented design is a cover that acts much like sixty self-regulating drains. This is significant because as some of the 'little' drains are covered, excessive suction does not transfer to the remaining openings. When excessive suction is transferred to unblocked openings in a traditional drain grate, the suction causes hair to enter multiple openings, creating a potential entrapment hazard if the hair tangles or puffs up inside the drain, making it impossible to pull free.

Body Entrapment Avoidance. The same self-regulating openings that protect against hair entrapment hazards, also provides body entrapment protection. When the self-regulating openings built into the SDX cover are combined with it's domed, anti-vortex shape, forming a seal with the cover is difficult.

Security. The SDX RETRO cover is held firmly in place with three recessed security screws which are made from top quality 316 Stainless Steel. And behind the SDX RETRO cover are at least three more screws to hold the whole assembly in place, providing multiple layers of anti-entrapment protection.

Durability. The SDX RETRO cover and support materials are far more durable than ABS, the typical plastic used in swimming pool drain covers. In addition to fading, the Buna in ABS is prone to UV degradation resulting in structural failures which contribute significantly to suction entrapment hazards.

HOW SDX RETRO WORKS BETTER

DUAL-DRAIN SYSTEM

Vacuum Breaker Backup. As with any dual-drain system, one drain is intended to be a vacuum breaker for the other in the unlikely event a swimmer completely blocks one of the SDX drains. If this were to happen, the pump is able to safely draw water from the second drain.

Dual-Drain Spacing. Most suction safety codes require dual-drains to be installed three feet apart, pipe to pipe, however some codes require three feet between drain covers. For this reason, Dual SDX piping is spaced three (3) feet, ten (10) inches apart.

Vertical Dual-Drain Installation. The purpose of the vertical dual-drain installation is to make it less likely two people can approach two drains at once. Effectively, the second drain would be at an individual's feet.

SDX RETRO HIGH FLOW SAFETY DRAIN SYSTEM DESIGN

SDX RETRO is a circulation drain, not intended to remove debris. For this reason it is suggested SDX be installed on walls whenever possible. SDX is a high flow safety drain system submerged suction outlet suitable for Single or Multiple Drain use on the wall and floor. This is to keep debris and sand from collecting on and around the low velocity SDX RETRO cover. Do not locate suction outlets on seating areas or on the backrest of such seating areas.

The maximum flow rate for each pair of SDX RETRO drains is 200 gpm on the floor --192 gpm on the wall. This flow rating allows for pumps up to 3 hp to operate efficiently. For pumps with higher flow rates or systems with multiple pumps on a common manifold, additional SDX drains may be added. Do not exceed the maximum allowable flow rate stated on the suction fitting. The velocity at the opening to the SDX drain at the maximum rated flow of 200GPM is 1.485 feet per second. For multiple drain systems where more than two drains are used, the maximum flow rate is calculated per ANSI/APSP-7 Section 4.6 as shown in the following chart.

DESCRIPTION	MAXIMUM SYSTEM FLOW FLOOR	MAXIMUM SYSTEM FLOW WALL	MINIMUM FLOW RATING OF EACH COVER % MAXIMUM SYSTEM FLOW RATE
One SDX High Flow Safety Drain	200 gpm (756 lpm)	192 gpm (726 lpm)	100%
Two SDX High Flow Safety Drains	200 gpm (756 lpm)	192 gpm (726 lpm)	100%
Three SDX High Flow Safety Drains	300 gpm (1136 lpm)	288 gpm (1090 lpm)	66.7%
Four SDX High Flow Safety Drains	400 gpm (1514 lpm)	384 gpm (1456 lpm)	50%

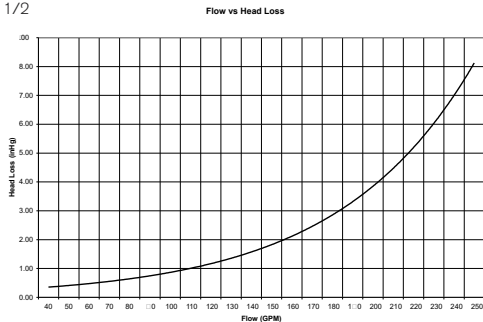
*Table derived from ANSI/APSP-7 Section 4.6 Table 1

Pipe size. To design an efficient suction system in accordance with national swimming pool standards, the following pipe sizing guideline should be followed:

SUCTION PIPE SIZE	MAX RESIDENTIAL GPM	MAX PUBLIC GPM
1 1/2"	50	37
2"	82	62
2 1/2"	117	88
3"	181	136
4"	313 (200 Max GPM)	234 (200 Max GPM)

*minimum pipe size 1 1/2

HEAD LOSS CURVE



For technical assistance call 1.800.621.5886 or contact your regional representative

SDX RETRO CONCRETE INSTALLATION

System Design:

SDX RETRO is an underwater suction drain cover system intended to replace any drain cover up to 10 inches in diameter. SDX is approved for single or multiple drain use. When retrofitting a SDX to an existing installation with a single suction outlet that is not listed and approved for use as a single suction outlet **ONE OF THE FOLLOWING MUST BE ADDED IN ACCORDANCE WITH ANSI/APSP-7 SECTION 6.3. SEE EXCERPT OF CHART APPENDIX B.**

Excerpt ANSI/APSP-7 Appendix B options for single suction backup:

One of these options must be installed on any single suction outlet.

- Install additional ASME/ANSI A112.19.8 Outlet with the center to center distance between the suction pipes at least 36-inches, or on a separate plane. (see Sections 4.5 & 4.6)
- Convert Suction Outlet to Return Inlet by Changing the piping, provided the system piping and skimmer(s) shall be capable of handling the full system flow.
- Convert to Gravity Flow System in accordance with Section 5.8
- Engineered Vent System in accordance with Section 7.2
- Install & Test. Manufactured Safety Vacuum Release System (SVRS) Tested and Listed for the purpose by a Nationally Recognized Testing Laboratory in accordance with Section 7.1.
- Permanently Disable the Single Outlet, provided the system piping and skimmer(s) shall be capable of handling the full system flow and minimum turnover rates are achieved.

The maximum flow rate for SDX RETRO is 200 gallons per minute (gpm) or 756 liters per minute (lpm) Floor and 192 (gpm) or 726 (lpm) Wall. SDX RETRO should operate best when used with residential pumps of up to 3HP. Please ensure your pool or spa pump system meets this specification.

Note: Suction Safety Standards require that main drain grates used to cover concrete sumps, must have the suction pipe cut at least 1 ½ times the pipe diameter behind the drain cover. This is to allow room for even water flow through all drain cover holes. This is not necessary with the SDX drain because the Patented design provides uniform suction regardless of pipe location. However, if the pipe is too close to the surface and off center, this may restrict water flow to the pump, reducing hydraulic efficiency, but this does not pose a suction safety hazard.

Your SDX RETRO includes five important components; all of components 1-4 below must be used for proper installation. These components are as follows:

1. Black drain cover support plate;
2. Drain cover;
3. Six black plastic oval slot plugs that must be installed in the drain cover support plate after it is affixed to the pool or spa surface;
4. Three 10x7/8 security screws to secure drain cover to drain cover support plate, together with a tool for installing these screws; and
5. Assorted screws, fasteners, and plastic spacers for attaching drain cover support plate to pool or spa surface. See Installation Instructions below to determine which components you will need to use.

CONCRETE INSTALLATION

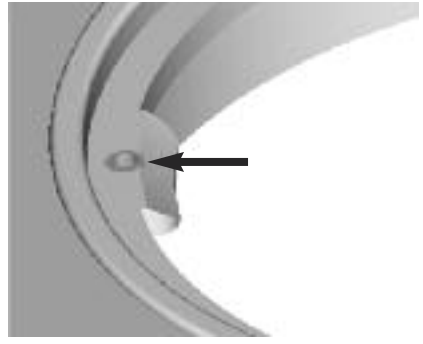
1. Turn off all power to pool or spa and pump systems. Installation is easiest when pool or spa is drained. **CAUTION DRAINING A POOL OR SPA MAY CAUSE STRUCTURAL DAMAGE. BEFORE DRAINING CONTACT YOUR LOCAL LICENSED POOL BUILDER OR REMODELER.**
2. Remove existing drain cover (**Fig. 1**).
3. Determine from the following choices which provided screws, fasteners, and spacers to use to attach the drain cover support plate to the pool or spa surface.

Fig. 1: Existing Drain Cover



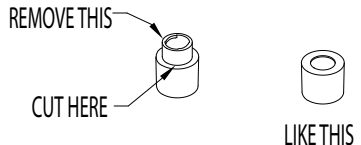
- 3a.** If the pool or spa surface has an embedded ring around the suction pipe, which ring has threaded screw hole inserts, use the provided two 8-32x3/4 screws (**Fig. 2**). Use the appropriate provided spacers A or B (**Fig. 9 -- see Pg 7**) (small end up) to close the gap between the drain cover support plate and the embedded ring. For example, if you are replacing a Pentair drain cover use spacer B.275; if you are replacing a Waterway drain cover use spacer A.250. If you have an AFRAS ABF Series drain (**See steps 1-3 -- Pg 5 for instructions on how to cut screws**) then use spacer A.250. Use a knife and cut off small end of the spacer (**Fig. 2a**) and use around the screw between the support plate and embedded ring. **CAUTION: FAILURE TO USE THE CORRECT SPACERS MAY CAUSE THE POOL COVER SUPPORT PLATE TO BE PULLED FROM THE POOL OR SPA SURFACE.**

Fig. 2: Ring with Threaded Screw Hole Inserts



CAUTION: IF THE SPACERS PROVIDED DO NOT PROPERLY FILL THE GAP BECAUSE OF POOL INTERIOR SURFACE LEVEL IN RELATION TO THE SUMP OR EMBEDDED RING STOP. DO NOT USE THE THREADED INSERTS GO TO METHOD DESCRIBED IN 3F PAGE4 TO COMPLETE THE INSTALLATION.

Fig. 2a



CONCRETE INSTALLATION INSTRUCTIONS

- 3b. If the pool or spa surface has an embedded ring around the suction pipe, which ring does not have threaded screw hole inserts, or the pool or spa surface has an indented sump without threaded screw hole inserts, and the distance between the pool or spa surface and the tops of the screw holes is shallower than $1/4"$, use the two provided $10 \times 5/8$ self threading screws. No spacers will be needed (Fig. 3).

Fig. 3: Shallow Ring without Threaded Inserts



- 3c. If the pool or spa has an embedded ring around the suction pipe, which the ring does not have threaded screw hole inserts or has an indented sump without threaded screw hole inserts, and the distance between pool and spa surface and the tops of the screw holes is greater than $1/4"$ but less than $1/2"$ use the two provided $10 \times 7/8$ self threading screws (Fig.3). No spacers will be needed.

Fig. 4: Deep Set Ring without Threaded Inserts



- 3d. If the pool or spa surface has an embedded ring around the suction pipe, which ring does not have threaded screw hole inserts, or the pool or spa surface has an indented sump without threaded screw hole inserts, and the distance between pool or spa surface and the tops of the screw holes is deeper than $1/2"$, use the two provided $10 \times 1-1/4$ self-threading screws. No spacers will be needed (Fig. 4).

3e. EQUALIZER

When replacing a suction cover over a skimmer equalizer line or a small button style cover where there is no sump or the sump is less than $1/2"$ deep you must use the spacer ring, concrete anchors and #10 x $1\ 7/8"$ screws. (Fig. 7a -- see Pg 6) Install anchors in concrete per instructions 3f. Place the SDX retro support plate ring on a hard surface with the flange up. Place the SDX retro support plate on the ring with the grooves facing up and with both hands pushing down; snap the support plate into the support ring. (Fig. 2 & 3 -- Pg 9)

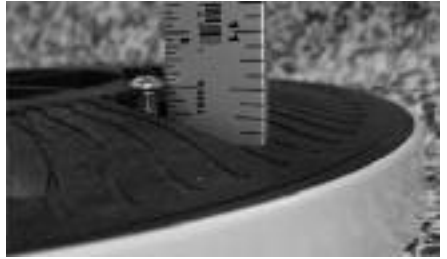
- 3g. If you have a Jacuzzi MO series drain use the long 10-24 pan hd screw. This screw may need to be cut to fit the application. (See Pg 5 for instructions on how to cut screws.)

- 3f. If the pool or spa surface has no usable holes around the suction pipe that will hold the support plate securely, drill new .160 diameter holes in the plastic ring or drill .250 diameter holes in the concrete and use the plastic anchors to make holes to accept the screws. Then use the correct length #10 self threading screws provided from the instructions above to secure the drain to the pool or spa surface. No spacers will be needed (Fig.5 -- see Pg 6).

HOW TO CUT SCREWS

Step 1 . Install the screw into the support plate and measure the distance between the bottom of the screw head and the notch in the support plate.

Step 1.



Step 2 . Remove the screw. Using a screw cutter (typically found in the handle of wire strippers) cut screw to the correct length.

Step 2a.



Step 2b.



Step 3 . Install screw thru the support plate into the sump until the support plate (and spacer ring if used) is snug to the pool surface and there is no gap behind the support plate.

Step 3.



CONCRETE INSTALLATION INSTRUCTIONS

4. Align the drain cover support plate over the ring or sump (Fig. 6). If pipe cannot be centered under plate then a 1" deep sump will give optimum water flow to the pump. If the pipe can be relatively centered NO SUMP is required. (Fig. 7a).

Note: Suction Safety Standards require that main drain grates used to cover concrete sumps, must have the suction pipe cut at least 1 ½ times the pipe diameter behind the drain cover. This is to allow room for even water flow through all drain cover holes. This is not necessary with the SDX drain because the Patented design provides uniform suction regardless of pipe location. However, if the pipe is too close to the surface and off center, this may restrict water flow to the pump, reducing hydraulic efficiency, but this does not pose a suction safety hazard.

5. Attach the drain cover support plate to the pool or spa surface with the appropriate screws, fasteners, and spacers as described in 3 on Pg 4 (Fig. 8 or 9 -- see Pg 6). **Completely hand tighten screws. Do not use power tools.**

ONCE INSTALLED, BE SURE THAT THE DRAIN COVER SUPPORT PLATE IS FIRMLY IN PLACE AND CANNOT BE PULLED OUT OF THE POOL OR SPA SURFACE. IF THE DRAIN COVER SUPPORT PLATE IS NOT FIRMLY IN PLACE, RE-READ THESE INSTRUCTIONS AND TRY ANOTHER INSTALLATION METHOD (PERHAPS 3E ABOVE) (FIG. 5).



WARNING: FAILURE TO SECURELY FASTEN BLACK SUPPORT PLATE CAN RESULT IN INJURY OR DEATH.

Fig. 5: Ring without Usable Screw Insert



Fig. 6: Support Plate

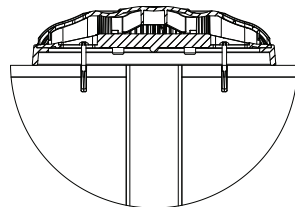


Fig. 7: Support Plate Aligned Over Screw Holes



If pipe cannot be centered under plate then a 1" deep sump will give optimum water flow to the pump. If the pipe can be relatively centered NO SUMP is required.

Fig 7a: SDX over suction outlet with no sump



CONCRETE INSTALLATION INSTRUCTIONS

Fig. 8: Attached without Spacers and Threaded Inserts

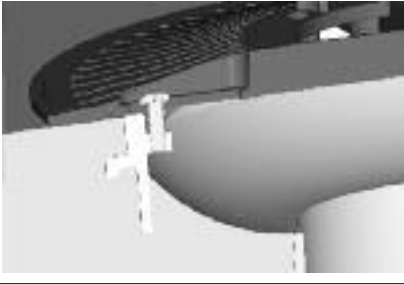


Fig. 9: Attached with Both Spacers and Threaded Inserts

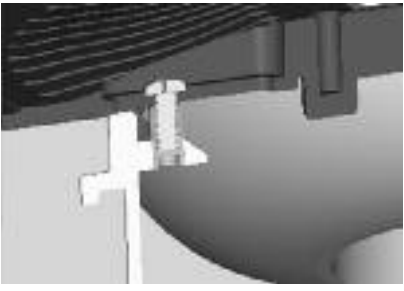
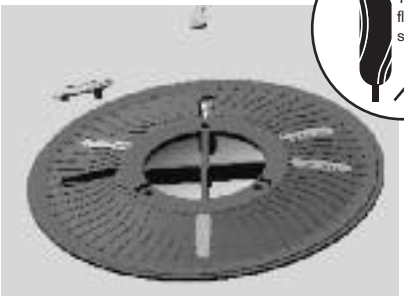


Fig. 10: Install Slot Plugs



6. Securely snap all six oval slot plugs provided into the six slots in the drain cover support plate. Use the plugs without tabs (marked C) over screws (tabs may be broken off if necessary). When tabs are broken off the trim the attachment points at each end must be trimmed flush for the part to fit snugly in the support plate. **CAUTION: FAILURE TO PROPERLY INSTALL THE PLUGS COULD DISABLE THE SAFETY FEATURES OF THE SDX RETRO (Fig. 10).**

7. Attach the drain cover to the drain cover support plate using the tool and the three 10x7/8 security screws provided (Fig. 11). Paramount requires the use of security screws to secure the cover. **Completely hand tighten screws. Do not use power tools.**

8. If the SDX Retro is on a curved wall such as a spa, or the wall/floor of the pool is un-even, then the gap between the back plate of the SDX and the pool finish must be filled. An under water epoxy such as AB epoxy putty may be used or if the pool is empty then silicon glue may be used. Allow for drying time in both cases before suction is applied to the drain cover.

Fig. 11: Attach SDX RETRO Drain Cover



SDX RETRO (VINYL) INSTALLATION

System Design:

SDX RETRO is an underwater suction drain cover system intended to replace any drain cover up to 10 inches in diameter. SDX is approved for single or multiple drain use. When retrofitting a SDX to an existing installation with a single suction outlet that is not listed and approved for use as a single suction outlet **ONE OF THE FOLLOWING MUST BE ADDED IN ACCORDANCE WITH ANSI/APSP-7 SECTION 6.3. SEE EXCERPT OF CHART APPENDIX B.**

Excerpt ANSI/APSP-7 Appendix B options for single suction backup:

One of these options must be installed on any single suction outlet.

- Install additional ASME/ANSI A112.19.8 Outlet with the center to center distance between the suction pipes at least 36-inches, or on a separate plane. (see Sections 4.5 & 4.6)
- Convert Suction Outlet to Return Inlet by Changing the piping, provided the system piping and skimmer(s) shall be capable of handling the full system flow.
- Convert to Gravity Flow System in accordance with Section 5.8
- Engineered Vent System in accordance with Section 7.2
- Install & Test. Manufactured Safety Vacuum Release System (SVRS) Tested and Listed for the purpose by a Nationally Recognized Testing Laboratory in accordance with Section 7.1.
- Permanently Disable the Single Outlet, provided the system piping and skimmer(s) shall be capable of handling the full system flow and minimum turnover rates are achieved.

The maximum flow rate for SDX RETRO is 200 gallons per minute (gpm) or 756 liters per minute (lpm) Floor and 192 (gpm) or 726 (lpm) Wall.. SDX RETRO should operate best when used with residential pumps of up to 3HP. Please ensure your pool or spa pump system meets this specification.

Your SDX RETRO (Vinyl) includes six important components; all of components 1-5 below must be used for proper installation. These components are as follows:

1. Support spacer;
2. Black drain cover support plate;
3. Drain cover;
4. Six black plastic oval slot plugs that must be installed in the drain cover support plate after it is affixed to the pool or spa surface;
5. Three 10x7/8 security screws to secure drain cover to drain cover support plate, together with a tool for installing these screws; and
6. Assorted screws, fasteners, and plastic spacers for attaching drain cover support plate to pool or spa surface. See Installation Instructions on next page to determine which components you will need to use.

SDX RETRO (VINYL) INSTALLATION

1. Turn off all power to pool or spa and pump systems. Installation is easiest when pool or spa is drained. CAUTION DRAINING A POOL OR SPA MAY CAUSE STRUCTURAL DAMAGE. BEFORE DRAINING CONTACT YOUR LOCAL LICENSED POOL BUILDER OR REMODELER.

Fig. 1: Existing Drain Cover



2. Remove existing drain cover. **(Fig. 1)**
3. Place the SDX retro support plate ring on a hard surface with the flange up. **(Fig. 2)** Place the SDX retro support plate on the ring with the grooves facing up and with both hands pushing down, snap the support plate into the support plate ring. **(Fig. 3)**

Fig. 2: Support Ring Spacer



4. Place the assembled support plate and ring over the vinyl sump. Line up the correct slots with the existing screw holes that were used for the previous grate cover. Using the appropriate screws supplied in the SDX retro kit, attach the support plate and ring to the existing sump. **Completely hand tighten screws. Do not use power tools.**

Fig. 3: Support Ring and Plate Snapped Together



(Fig. 4) CAUTION: IF THE SUMP HAS BRASS INSERTS IN IT FOR MACHINE SCREWS DO NOT INSTALL; CALL PARAMOUNT FOR INSTRUCTIONS. If you have a Jacuzzi MO series drain use the long 10-24 pan hd screw. This screw may need to be cut to fit the application. **(See Pg 5 for instructions on how to cut screws.)**

Fig. 4: Support Ring and Plate Screwed to Existing Sump



SDX RETRO (VINYL) INSTALLATION INSTRUCTIONS

5. Once installed, be sure that the drain cover support plate is firmly in place and cannot be pulled away from the pool surface. **The Drain cover support must be firmly in place or do not proceed to next step.**
6. Securely snap all (6) six oval slot plugs provided into the (6) six slots in the drain cover support plate. Use the plugs without tabs (marked C) over screws (tabs may be broken off if necessary). **(Fig. 5) CAUTION: FAILURE TO PROPERLY INSTALL THE PLUGS COULD DISABLE THE SAFETY FEATURES OF THE SDX RETRO.**
7. Attach the drain cover to the drain cover support plate using the torx wrench tool and the three 10 x 7/8 security screws provided. **(Fig. 6) Completely hand tighten screws. Do not use power tools.**
8. Final assembly. **(Fig. 7)**

Fig. 5: Support Plate Ring, Plate and Plugs

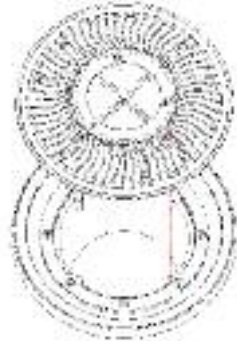


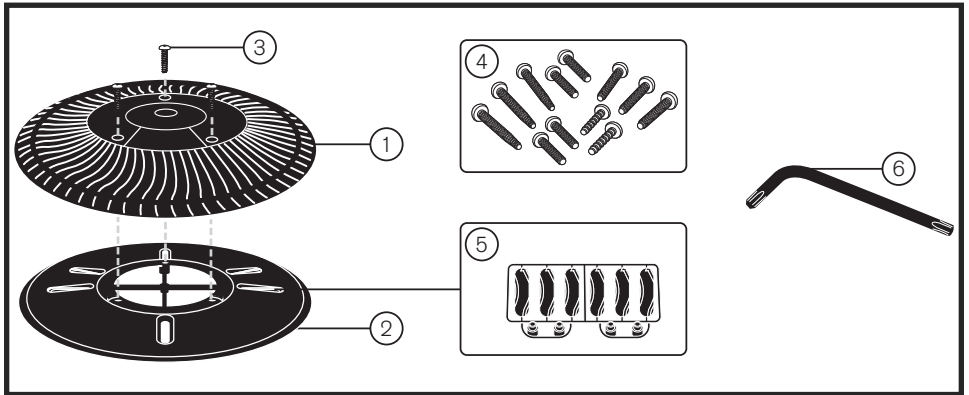
Fig. 6: Attach Drain Cover to Support Plate



Fig. 7: Final Assembly



Replace within 05 installed years



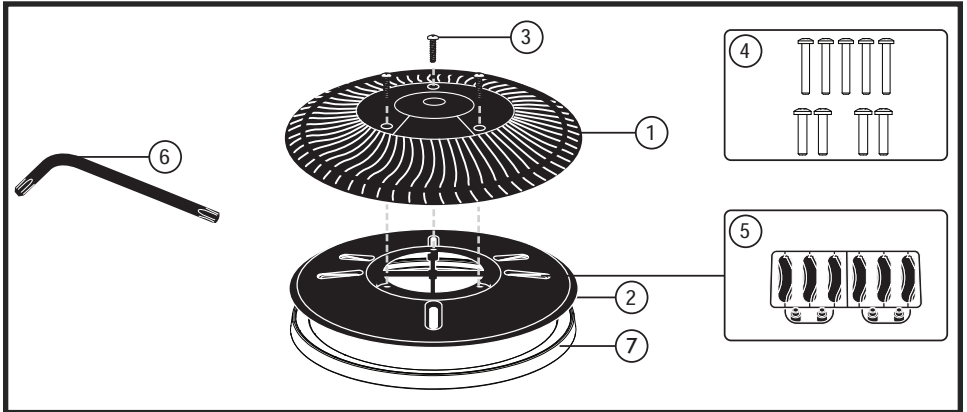
Install instructions Page 2-7

Item	Part Number	Description
1	005-252-2087-XX	SDX Retro Cover
2	005-252-2067-00	SDX Retro Support
3	005-252-0828-00	Screw 10x7/8 TORX w/ Pin SS B (12 pieces)
4	005-252-0886-00	SDX Retro Screw Set
5	005-252-2006-00	Trim Pack SDX Retro
6	005-252-5489-00	TORX Wrench T-25 Security

**PROPER INSTALLATION OF THE SDX RETRO IS ESSENTIAL
IF YOU HAVE ANY QUESTIONS, PLEASE CALL PARAMOUNT AT 1.800.621.5886
OR CONTACT YOUR REGIONAL REPRESENTATIVE.
PLEASE FOLLOW ALL LOCAL CODES AND POOL SAFETY GUIDELINES.**

1300634v2/15700-0001

Replace within 05 installed years



Install instructions Page 8-10.

Item	Part Number	Description
1	005-252-2087-XX	SDX Retro Cover
2	005-252-2067-00	SDX Retro Support
3	005-252-0828-00	Screw 10x7/8 TORX w/ Pin SS B (12 pieces)
4	005-252-0887-00	SDX Retro Vinyl Screw Set
5	005-252-2006-00	Trim Pack SDX Retro
6	005-252-5489-00	TORX Wrench T-25 Security
7	005-159-2049-XX	SDX Retro Spacer Ring

Please indicate your color choice by placing the appropriate color code in place of the "XX" at the end of the part number.
Colors are provided on the inside of the back cover.

White-01 Gray-02 Black-03 Taupe-04 Blue-05 Light Blue-06 Beige-07 Light Gray-08

**PROPER INSTALLATION OF THE SDX RETRO IS ESSENTIAL.
IF YOU HAVE ANY QUESTIONS, PLEASE CALL PARAMOUNT AT 1.800.621.5886
OR CONTACT YOUR REGIONAL REPRESENTATIVE.
PLEASE FOLLOW ALL LOCAL CODES AND POOL SAFETY GUIDELINES.**

1300634v2/15700-0001

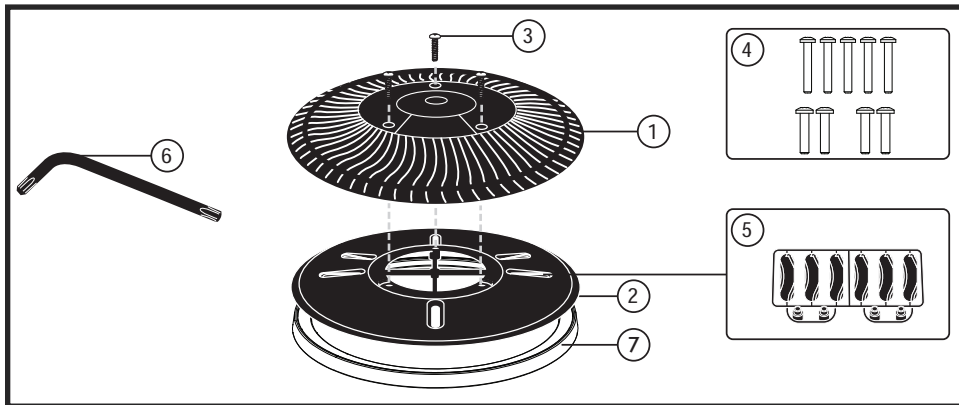
WARNING: SDX and SDX Retro must be installed in accordance with Paramount's written instruction manual and in conformity with applicable Federal, State, Local and Swimming pool industry building and safety codes.

U.S. Patent No.: D531,888, D532,684, 7,178,179, & Other U.S. Patents Pending

For technical assistance call 1.800.621.5886 or contact your regional representative

004-157-2212-XX SDX RETRO (EQUALIZER)

Replace within 05 installed years



Install instructions Page 4, Section 3e.

Item	Part Number	Description
1	005-252-2087-XX	SDX Retro Cover
2	005-252-2067-00	SDX Retro Support
3	005-252-0828-00	Screw 10x7/8 TORX w/ Pin SS B (12 pieces)
4	005-252-0888-00	SDX Retro Equalizer Screw Set
5	005-252-2006-00	Trim Pack SDX Retro
6	005-252-5489-00	TORX Wrench T-25 Security
7	005-159-2049-XX	SDX Retro Spacer Ring

Please indicate your color choice by placing the appropriate color code in place of the "XX" at the end of the part number.

Colors are provided on the inside of the back cover.

White-01 Gray-02 Black-03 Taupe-04 Blue-05 Light Blue-06 Beige-07 Light Gray-08

**PROPER INSTALLATION OF THE SDX RETRO IS ESSENTIAL.
IF YOU HAVE ANY QUESTIONS, PLEASE CALL PARAMOUNT AT 1.800.621.5886
OR CONTACT YOUR REGIONAL REPRESENTATIVE.
PLEASE FOLLOW ALL LOCAL CODES AND POOL SAFETY GUIDELINES.**

1300634v2/15700-0001

WARNING: SDX and SDX Retro must be installed in accordance with Paramount's written instruction manual and in conformity with applicable Federal, State, Local and Swimming pool industry building and safety codes.

U.S. Patent No.: D531,888, D532,684, 7,178,179, & Other U.S. Patents Pending

For technical assistance call 1.800.621.5886 or contact your regional representative

NOTES