

MULTI CYCLONE



Save Water and Reduce Pool Maintenance



- Centrifugal water filtration
- No filter media to clean or replace
- Simple installation
- 2 year warranty



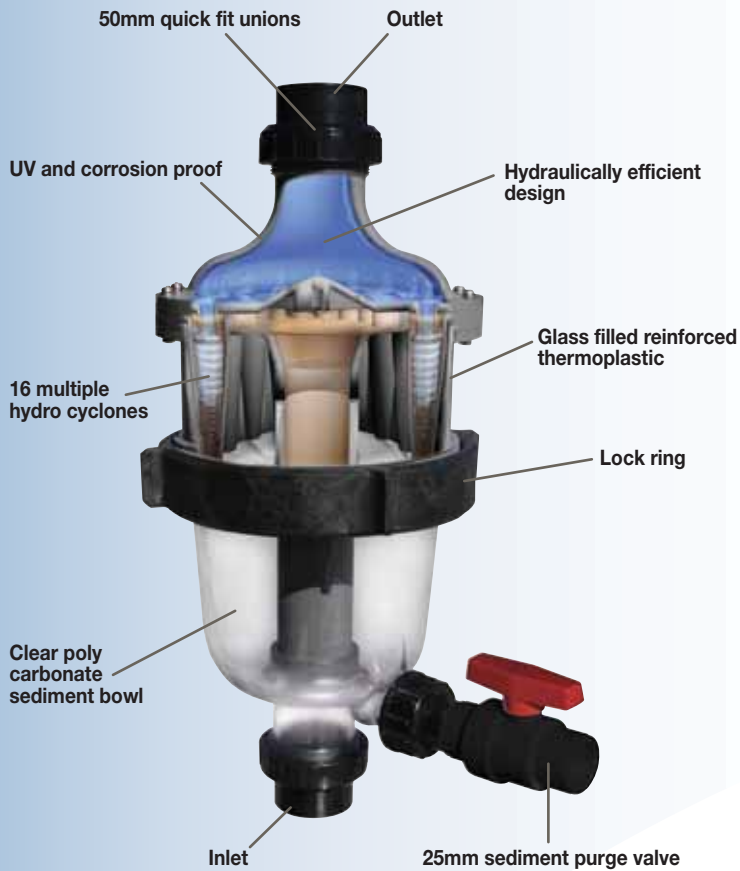
Reduce frequency of backwashing



Reduce filter cartridge maintenance

MultiCyclone is a pre-filtration device that is capable of saving water and reducing filter maintenance.

The MultiCyclone works on the basis of centrifugal water filtration. There are no moving parts to wear and tear, and no filter media to clean or replace



Centrifugal filtration

- i. Incoming water enters 16 hydro cyclones tangentially, generating a strong centrifugal effect.
- ii. The sediment is spun out to the hydro cyclone's wall, and then spirals down to the sediment bowl.
- iii. The filtered water migrates towards the center of the hydro cyclone where the flow reverses and spirals upwards through the outlet.
- iv. Accumulation of sediment can be visibly monitored through the MultiCyclone's clear sediment bowl.
- v. The MultiCyclone is easily cleaned by opening the valve.

Only 15 litres of water is discharged to cleanse the MultiCyclone.

Save Water

MultiCyclone is ideal as a pre-filter, extending the life of your existing filter and cutting water consumption as it eases the workload on your swimming pool filter.

Reduce backwash frequency



MultiCyclone + Sand (granular) filter = Reduction in backwash frequency + Extends the life of the filter media

The reduction in backwash frequency of a sand filter could result in the savings of up to 5,000 litres of water per year for an average domestic swimming pool.

Reduce filter cartridge maintenance



MultiCyclone + Cartridge filter = Reduction in cleaning frequency + Extends the life of the filter cartridge

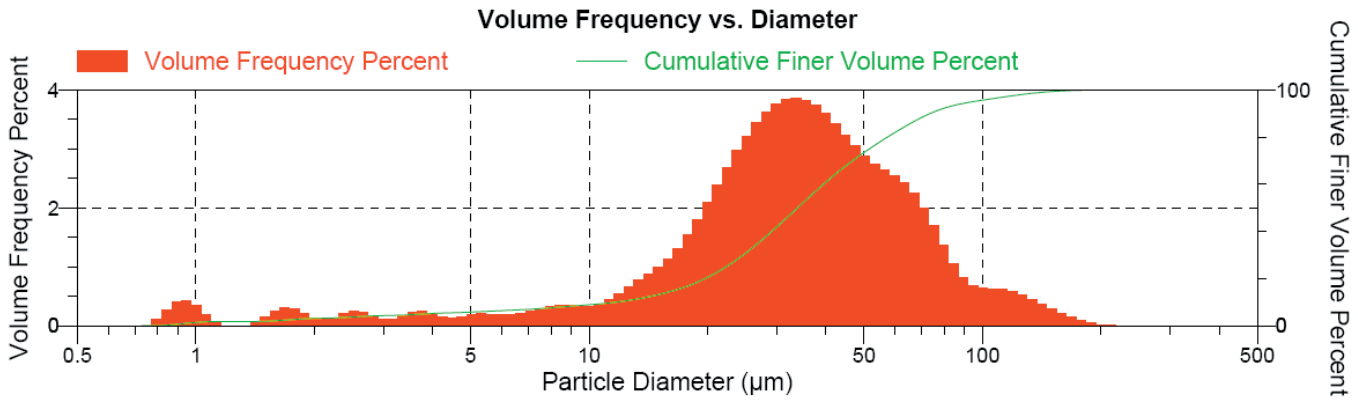
Waterco's MultiCyclone is designed to work effectively with Waterco's extensive range of pumps and filters.



Laboratory tests

The MultiCyclone was field tested on an outdoor swimming pool and the contents of its sediment bowl were laboratory tested.

The laboratory test below revealed that the Multi Cyclone was capable of trapping sediment between 10 to 100 microns.



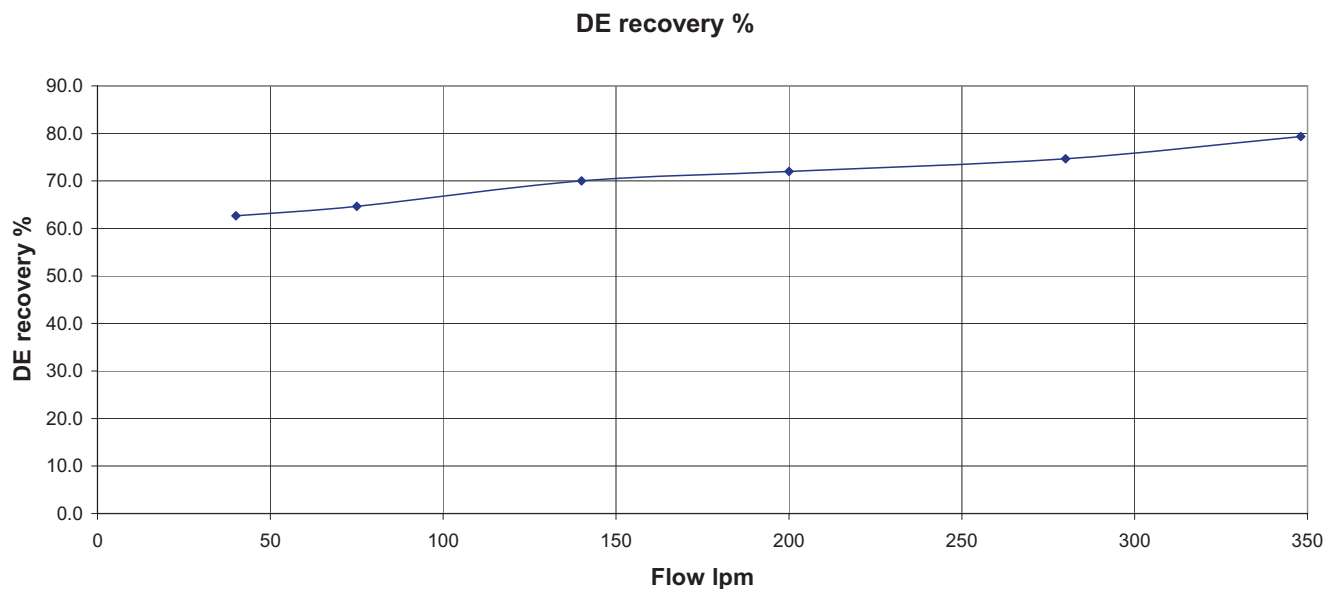
The filtration efficiency of the MultiCyclone was tested by feeding 5 to 80 micron dust particles through the MultiCyclone and analyzing the percentage dust particles trapped in the sediment bowl.

The laboratory test below revealed that the MultiCyclone was effective in filtering particles sized 40 to 80 microns.

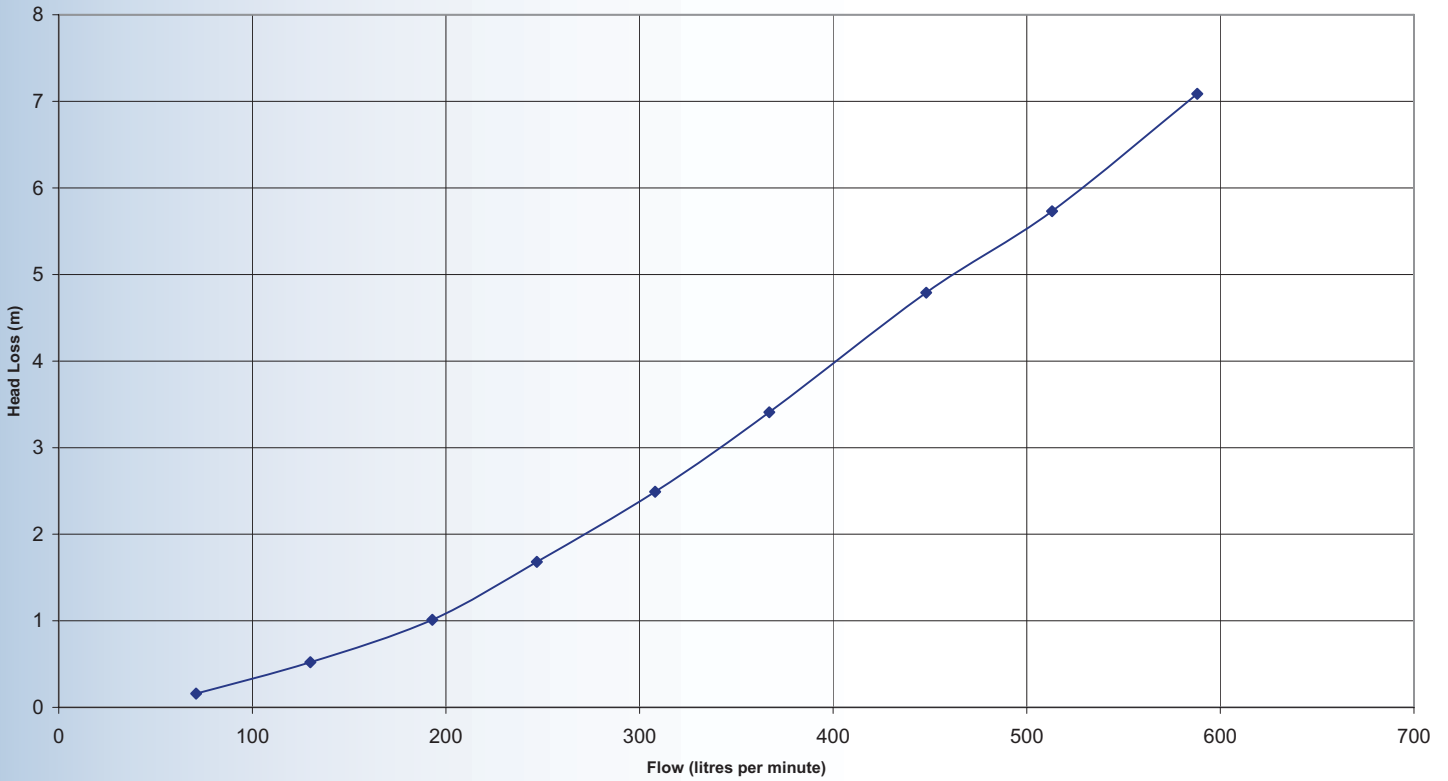
Micron Rating	Particle Size 11.6 NTU Influent	Particle Size 10.2 NTU Effluent	Average % of Particles trapped
5.0 – 80.0	24141	16824	30.31%
5.0 – 20.0	23608	16561	29.85%
20.0 – 40.0	509.20	260.13	48.91%
40.0 – 60.0	22.000	2.861	86.97%
60.0 – 80.0	2.333	0.000	100.00%

DE powder was passed through the MultiCyclone to discover its effective flow rate.

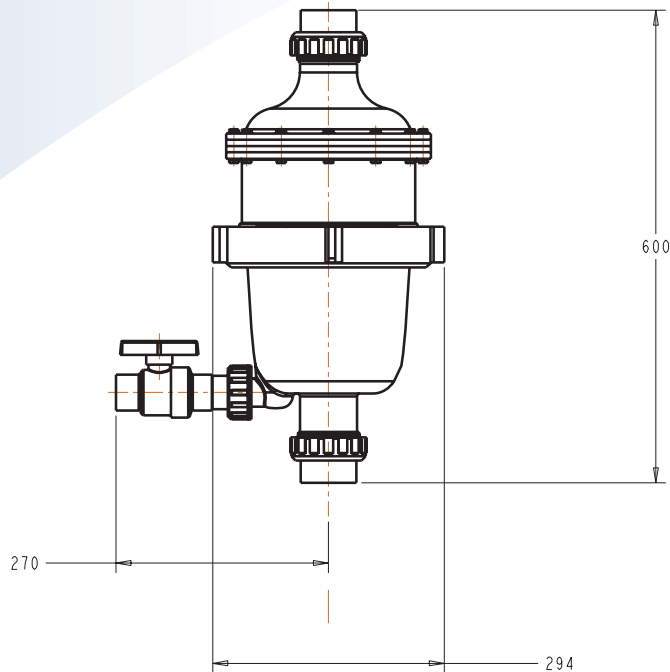
At 50 litres a minute, the MultiCyclone was able to remove approximately 60% of DE powder and at 350 litres a minute; the MultiCyclone was able to remove 80% of DE powder.



Head Loss Curves on MultiCyclone



Minimum flow rate	50 litres per minute
Maximum flow rate	500 litres per minute
Maximum pressure	400 kPa (58psi)



OFFICES - AUSTRALIA
NSW - Sydney (Head Office)
 Tel: +61 2 9898 8686
QLD - Brisbane
 Tel: +61 7 3299 9900
VIC/TAS - Melbourne
 Tel: +61 3 9764 1211
WA - Perth
 Tel: +61 8 9273 1900
SA/NT - Adelaide
 Tel: +61 8 8244 6000
ACT Distribution
 Tel: +61 2 6280 6476

OFFICES - OVERSEAS
Waterco (Europe) Limited
 Radfield, Kent, UK
 Tel: +44 (0) 1795 521 733
Waterco USA (Baker Hydro)
 Augusta, USA
 Tel: +1 706 793 7291
Waterco Canada
 Quebec, Canada
 Tel: +1 450 796 1421
Waterco (NZ) Limited
 Auckland, New Zealand
 Tel: +64 9 525 7570

Waterco (GZ) Limited
 Guangzhou, China
 Tel: +86 20 3222 2180
Waterco (Far East) Sdn Bhd
 Selangor, Malaysia
 Tel: +60 3 6145 6000
PT Waterco Indonesia
 Jakarta, Indonesia
 Tel: +62 21 4585 1481

DISTRIBUTED BY:

WATERCO
 Water, the liquid of life



APSP
 The Association of
 Pool & Spa Professionals

